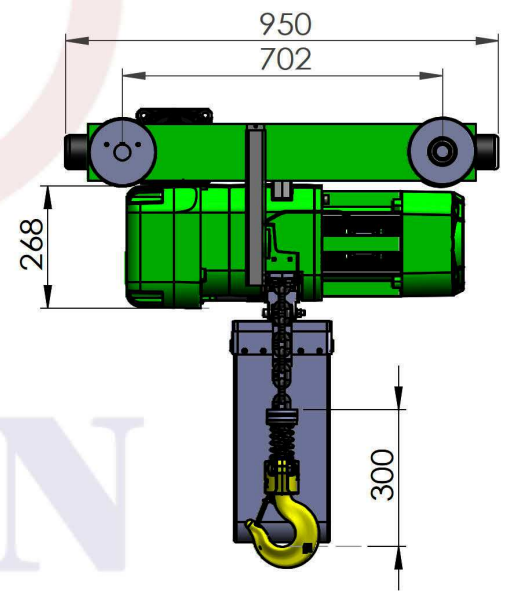
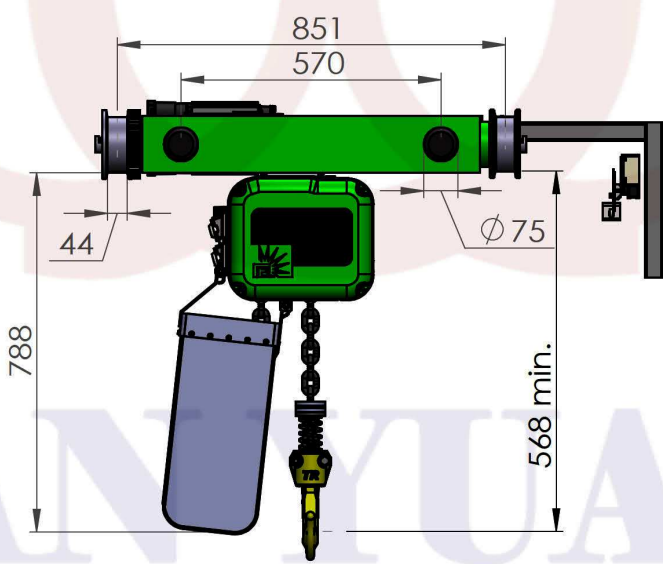
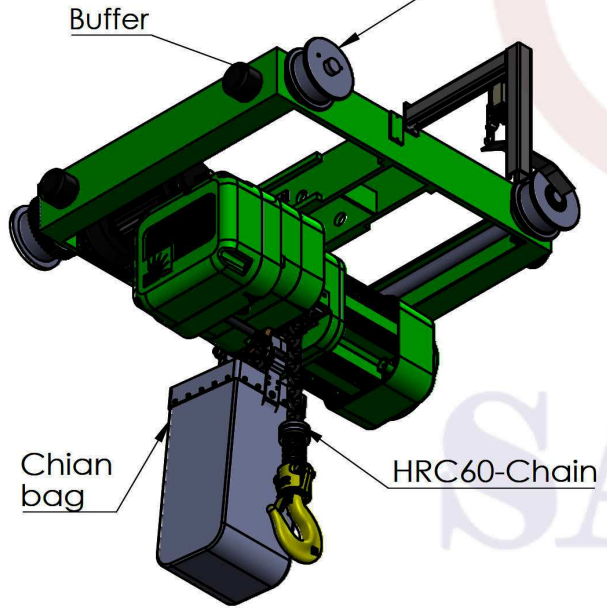


Rotation hook
Dust free wheel (Option)



| | | |
|---------------|------------------|-----------|
| TYPE | ER3-030T-DT | |
| Cap | 3000 Kg | |
| Test load | 3750 Kg | |
| Lift | 4m | |
| Hoist speed | Fast | 6 m/min |
| | Slow | 1 m/min |
| Hoist motor | 5Hp - Inverter | |
| Trolley speed | Fast | 16 m/min |
| | Slow | 2.7 m/min |
| Trolley motor | 0.4Kw - Inverter | |
| Chian | 11.2x34-1 Fall | |
| Power | 3PH 220V60Hz | |
| Control | Remote | |

| | | | | | | | | | | | | | |
|-------------------|------------|------------|------------|--------------------|----------|----------------------|-----|------------|----|---|----------------|------------------------------|-----|
| 設計 DESIGNED BY | | 日期 DATE | | 材質 MATERIAL | | 表面處理 Surface D.W. | | 單位 UNIT | mm | 三園立企業股份有限公司 SAN YUAN CHIAN HOIST CORP. | 圖名 NAME | ER3-3T/Dual rail chain hoist | |
| 核准 APPROVED BY | LEE YU JEN | 日期 DATE | 2018 Feb07 | 未標註公差 TOLERANCE | R- C- | 比例 SCALE | 1:1 | | | | 圖號 DWG. NO. | ER3-030T-DT | A4L |